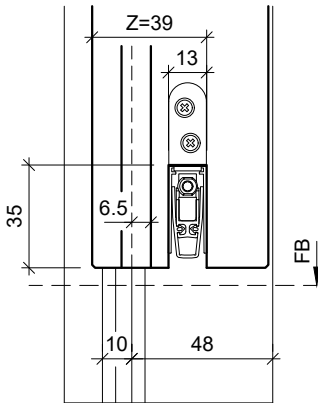
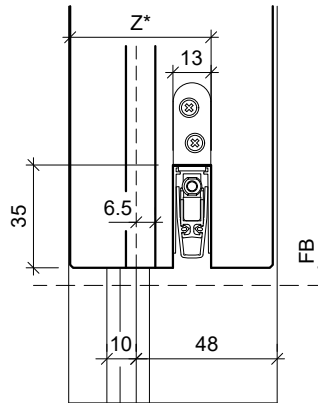


**Typ: RDDS14-48/10**  
 58-61mm Türblatt  
 (Falz 14/10+14/10mm)

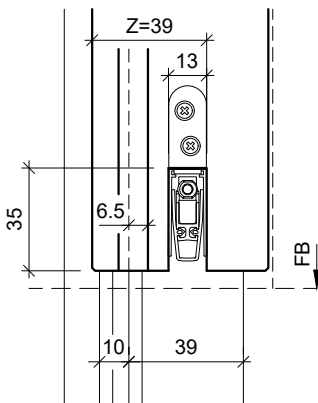


**Typ: RDDS14-48/10**  
 68-72mm Türblatt

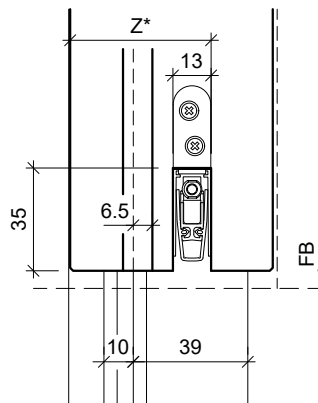


\* Falz 14/10+14/19mm: Z = 48mm  
 Falz 14/10+14/20mm: Z = 49mm

**Typ: RDDS14-39/10**  
 58-61mm Türblatt  
 (Falz 14/10+14/9mm)



**Typ: RDDS14-39/10**  
 68-72mm Türblatt



\* Falz 14/10+14/18mm: Z = 48mm  
 Falz 14/10+14/19mm: Z = 49mm

**Typ: RDDS14-43/10**  
 58-61mm Türblatt  
 (Falz 14/10+14/15mm)

