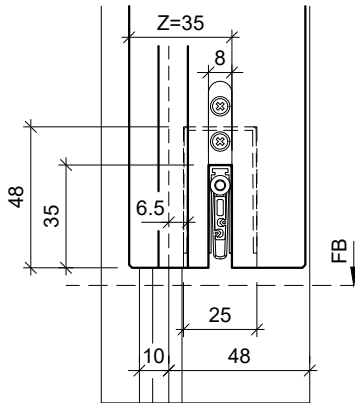
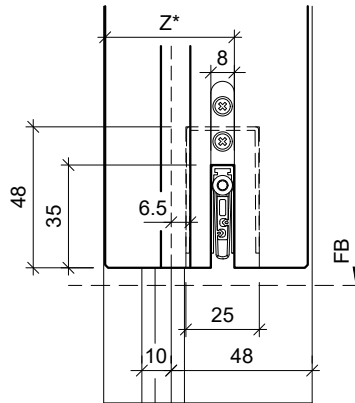


Typ: RDDS14-48/10
 58-61mm Türblatt
 (Falz 14/10+14/10mm)

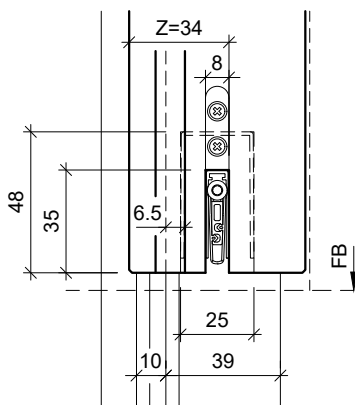


Typ: RDDS14-48/10
 68-72mm Türblatt

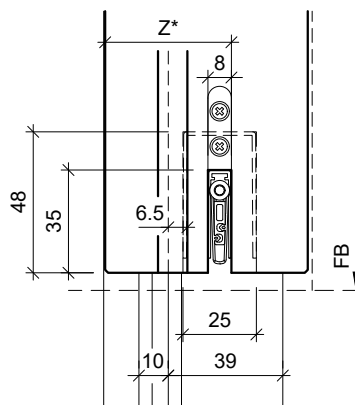


* Falz 14/10+14/19mm: Z = 44mm
 Falz 14/10+14/20mm: Z = 45mm

Typ: RDDS14-39/10
 58-61mm Türblatt
 (Falz 14/10+14/9mm)

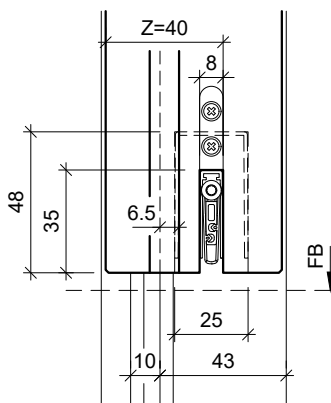


Typ: RDDS14-39/10
 68-72mm Türblatt



* Falz 14/10+14/18mm: Z = 43mm
 Falz 14/10+14/19mm: Z = 44mm

Typ: RDDS14-43/10
 58-61mm Türblatt
 (Falz 14/10+14/15mm)



Ansicht von unten

